

HOW IT WORKS

Kodiak Pro Flow tanks are water exchange tanks. New oxygen rich water is continually pumped into the tank while old water flows out and back to the sea.

Recommended pump sizes are shown below. Use marine grade smooth walled hose between the pump and tank.

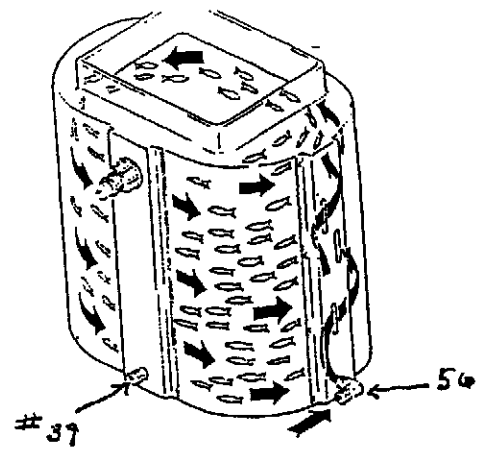
For tanks up to 32 gallons: Use 3/4" ID hose with a female garden hose x 3/4" barb fitting. Connect the bait pump hose to fitting #56. This 90-degree elbow fitting is removable. It has a male garden hose thread to the pump hose, and 3/4" pipe thread into the tank.

For PF-42 and PF-52 tanks: Use 1" ID hose. Fitting # 56 on these tanks is 1" male pipe into the tank x 1" barb. If you must use 3/4" hose remove the 1" fitting, and replace it with a PVC 1" male pipe to 3/4" female reducer, and a nylon 90 degree 3/4" male pipe to 3/4" male barb.

As fresh water enters the enclosed chamber # 50, it will filter into the tank thru the slots in the baffle plate # 68. The angle of these slots will create a gentle directional flow. As the water height reaches the overflow fitting #64 it will begin to drain out. Fitting #64 accepts 1 1/2" drain hose. This fitting is removable (except PF-14) should you want to install an elbow or other fitting. The tanks will accept a 1 1/2" male pipe thread. **Extreme care should be taken when installing fittings into the tank to prevent cross threading.**

For your tank to drain properly the overflow fitting #68 should face toward the stern of the boat. Water will flow back as you accelerate or ride bow up, and may overflow if the drain is in any other position.

Fitting #39 is an end of day drain. Removing the cap allows the tank to drain completely. This fitting is also removable and is 3/4" male pipe thread x male garden hose on the other end.



The (L) brackets that you received with your tank can be mounted inboard toward the tank or out board away from the tank, using the screws included. If you use the model PF-003 mounting pads, the (L) brackets must point outboard.

When you receive your tank all the molded in hold down lugs will have a lubricant in them. It is recommended that you add grease to these lugs periodically to prevent corrosion.

Choosing the right size pump for your tank is important. The following recommendations are made for up to an 8' hose run from the pump to the tank.

Tank Model	Kodiak Bait Pump
PF-14	K-360 or K-500
PF-17	K-500
PF-22	K-500
PF-27	K-500 or K-700
PF-32	K-700
PF-42	K-1100
PF-52	K-1500

When your hose run is more than 8' step up to the next size pump. Adding in line valves, wash down valves or fittings may restrict flow, also making it necessary to increase pump size.

To insure adequate water flow for healthy bait, fill time, from empty to beginning to drain, should be from 5 to 8 minutes. In areas with warm water, over 78 degrees use a fill time closer to the 5 minute side, water will contain less oxygen the warmer it is.